

**PMC**<sup>®</sup>

active **twenty5**  
installation guide

**Active upgrade for:**

twenty5.21  
twenty5.22  
twenty5.23  
twenty5.24  
twenty5.21i  
twenty5.22i  
twenty5.23i  
twenty5.24i



No.

Hand built by

**WARRANTY**

The activetwenty5 modules carry a warranty of 5 years from the date of purchase. Please ensure you retain your proof of purchase.

The warranty for your loudspeakers will remain unchanged.

For more information see:  
[www.pmc-speakers.com/warranty](http://www.pmc-speakers.com/warranty)

T + 44 (0) 1767 686300  
[www.pmc-speakers.com](http://www.pmc-speakers.com)

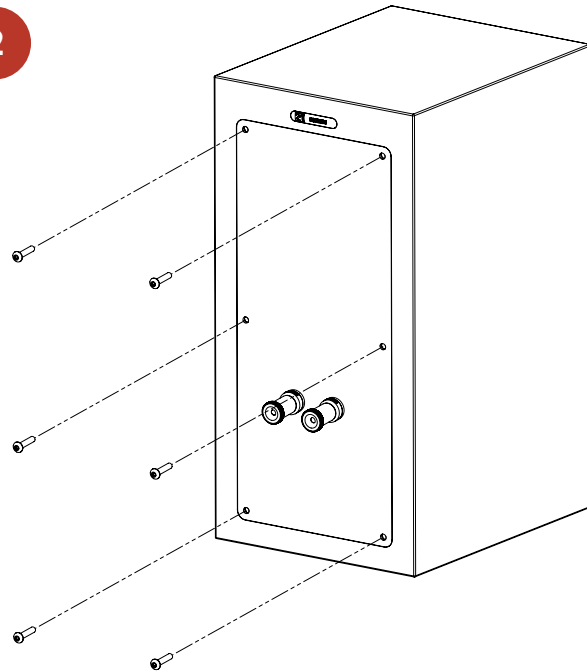
PMC Stock Code: 16744

1



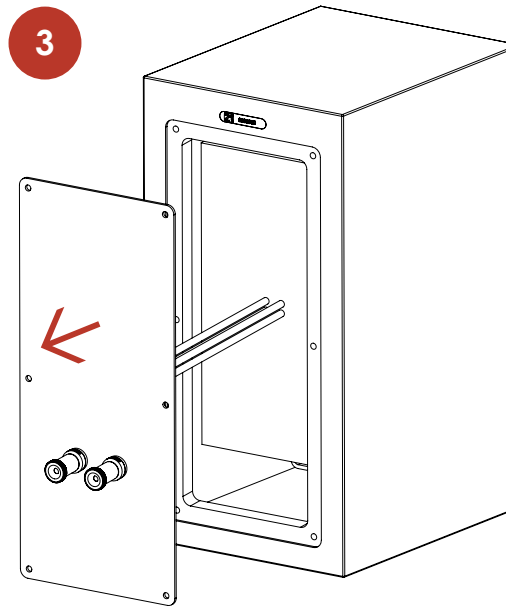
Do not connect the amplifier unit to the mains supply until it is securely fitted in to the loudspeaker.

2



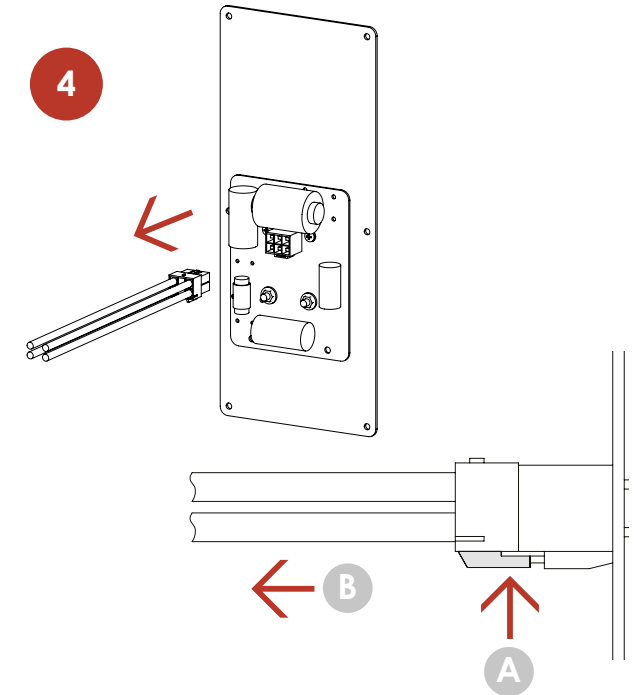
Remove the screws from the existing backplate with the hex key included and retain the screws.

3



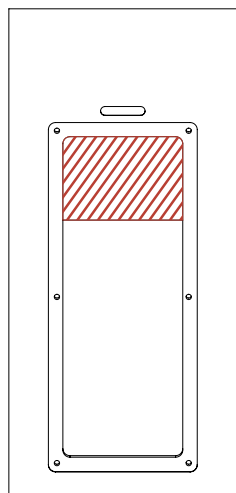
Gently remove the backplate from the speaker cabinet.

4



Disconnect the cable from the passive crossover by firmly pressing the connector tab (A) and gently pulling away from the board (B).

5

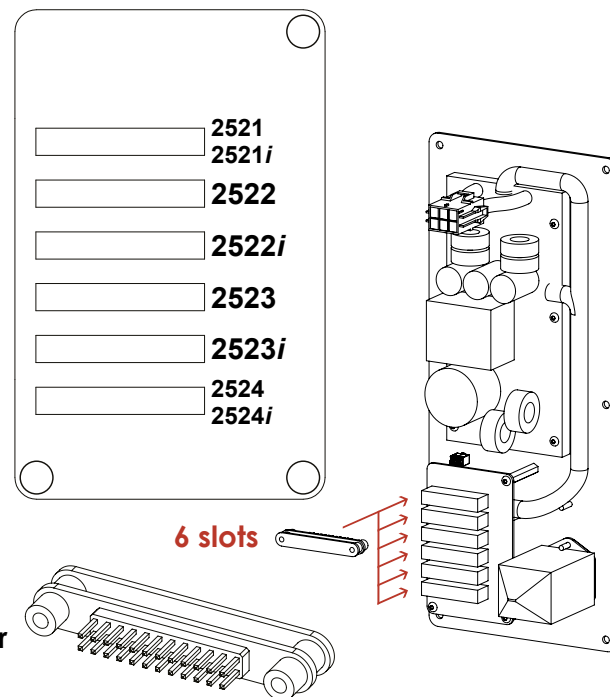


For the **twenty5.22** and **twenty5.22i** only:

Remove the section of foam that overlaps the rear panel opening (marked in red) using the knife provided.

Care should be taken as the knife is sharp.

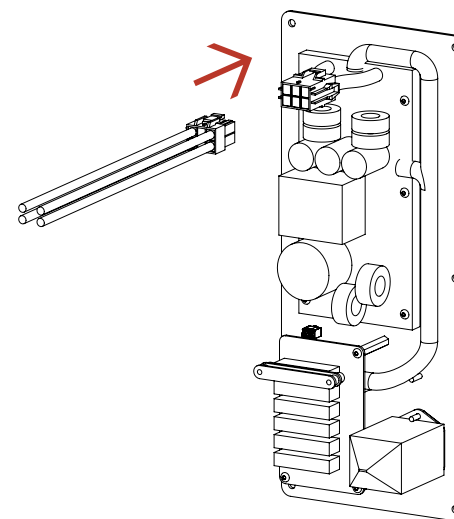
6



**Model Selector**

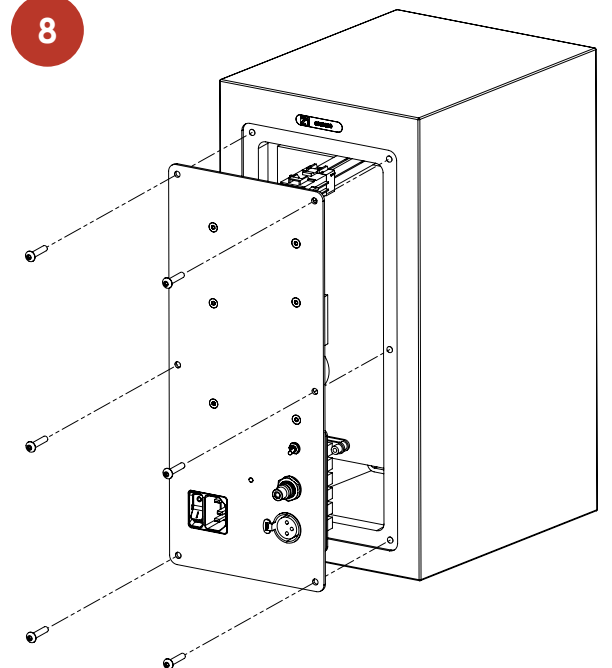
The black circuit board on the new **active crossover** module has 6 slots – one for each model of speaker. Insert the **Model Selector** into the slot that matches your loudspeaker. Ensure the Model Selector is fully seated.

7



Connect the speaker's internal cable to the active crossover module.

8



Attach the active crossover module to the back of the speaker using the screws retained from step 1. Initially screw on finger-tight, then secure with a quarter-turn using the hex key.

**Do not overtighten.**